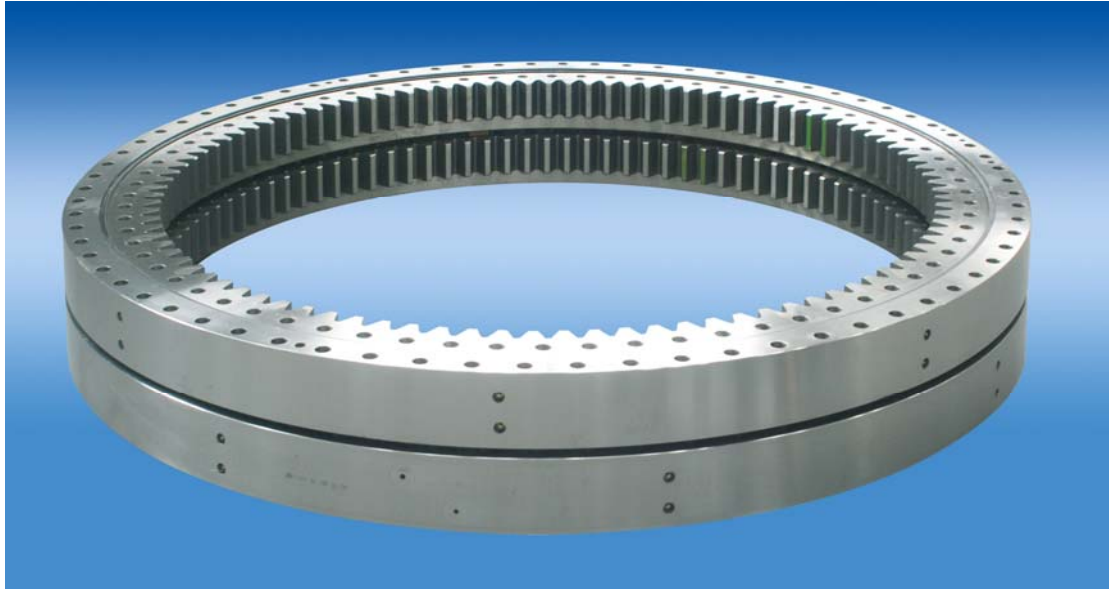


## Double Row Same Ball Slewing Bearing

This series of slewing bearing is mainly made up of inside and outside rings. The diameters of up-row and down-row balls are the same. It is suitable for high precision mounting and capable to bear axial force, resultant torque and considerable large radial force.



### 2. Application

This series are widely application in wind yaw bearing and types of marine cranes.

**3. Type:** non-gear, external gear, internal gear

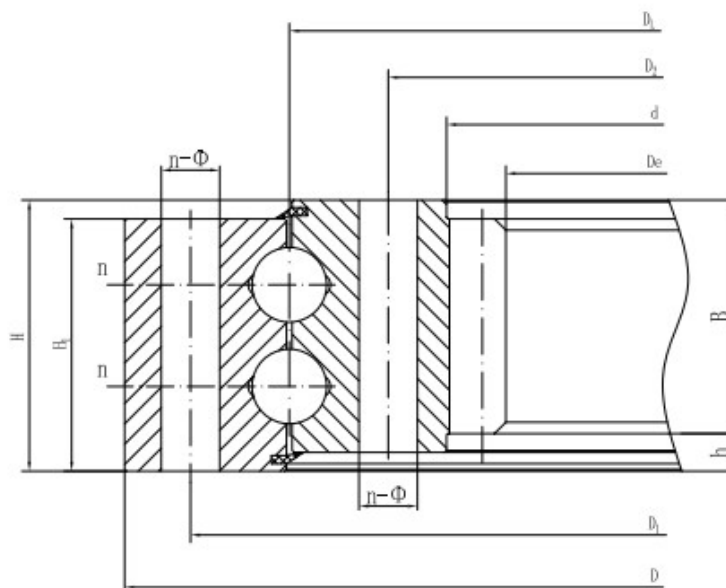
**4. Delivery time:** 1 day - 120 days.

**5. Payment:** T/T, ILC (irrevocable letter of credit) etc.

**6. Instruction, Structure, Installation, Operation, Maintenance, Packing and Shipping of Slewing rings:**

**7. Packaging:** Metal pallet or plywood box.

**8. Parameters of Double Row Same Ball Slewing Bearing:**



**Wuxi Lida Gear Manufacturing Co., Ltd.**

**Add:** North Lutong Road 18#, Yangshan, Huishan District, Wuxi, Jiangsu, China

**Post Code:** 214156

**Tel:** +86-510-83958957

+86-510-83957100

**Fax:** +86-510-83951235

**Email:** [lida1880@hotmail.com](mailto:lida1880@hotmail.com)

**Website:** <http://www.lidaslewingring.com/>