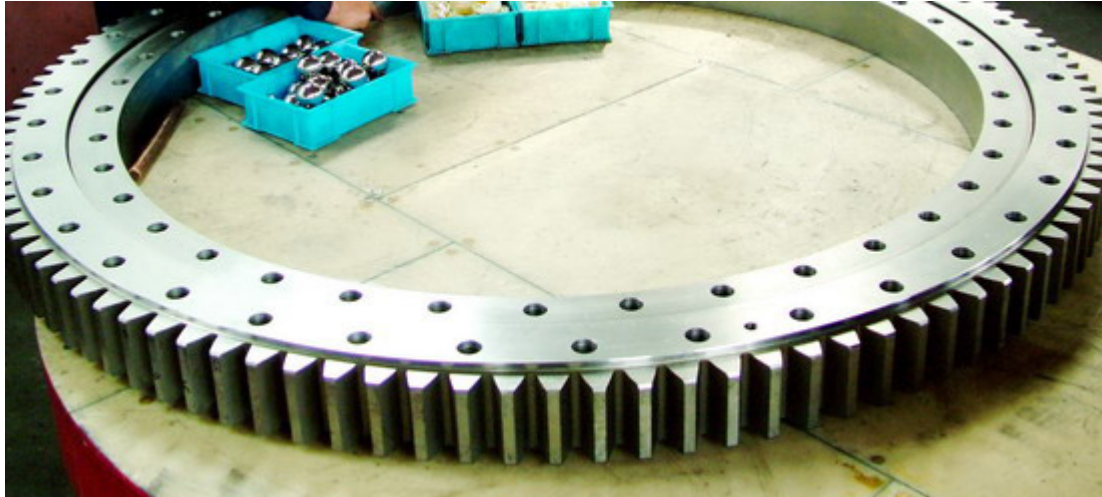


## Single Row Four Point Contact Ball Bearing

This series of single-row four point contact ball bearing is mainly made up of inside and outside rings. Single-row four point contact ball ring has the features of compact in design, and light in weight. The balls roll on the circular race at four points, so it can undertake the axial force, radial force and tipping moment at the same time.



### 2. Application:

This series of four point contact ball bearing are suitable in many engineering machinery, such as rotary conveyor welding operation machine, small cranes, small and medium-sized excavators and so on.

### 3. Type:

We offer our products in accordance with the client's requirements, no teeth type (non-geared), outer teeth type (external geared), inner teeth type (internal geared) are all available.

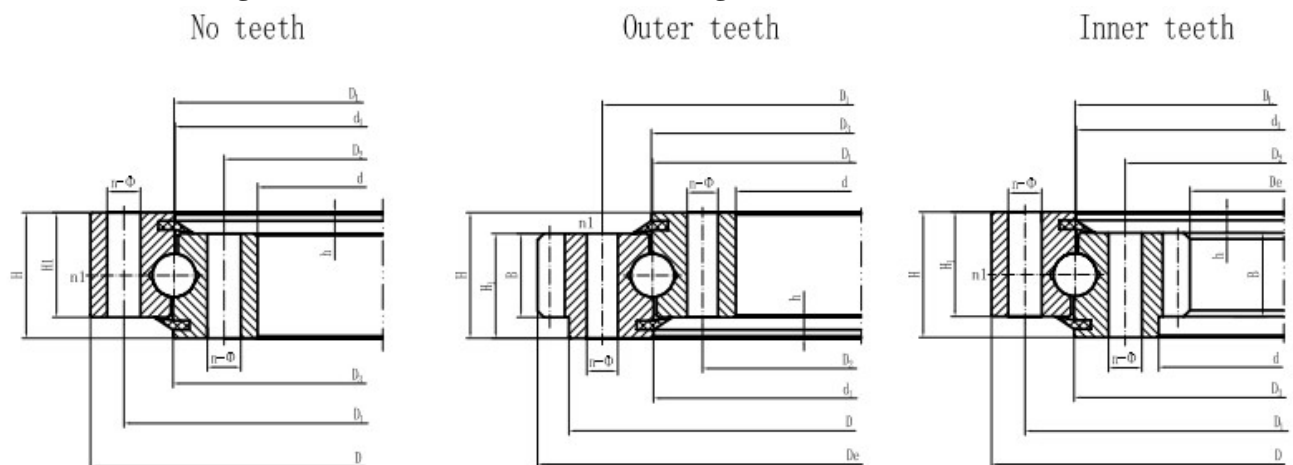
**4. Delivery time:** 1 day - 120 days

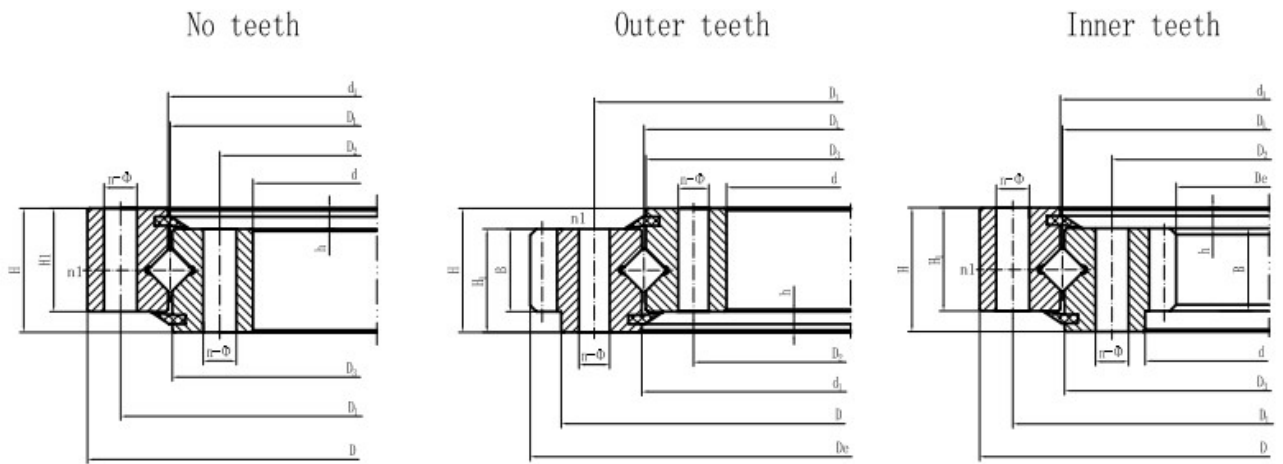
**5. Payment:** T/T, ILC (irrevocable letter of credit) etc.

**6. Instruction, Structure, Installation, Operation, Maintenance, Packing and Shipping of Slewing rings:**

**7. Packaging:** Metal pallet or plywood box.

**8. Parameters of Single Row Four Point Contact Ball Bearing:**





**Wuxi Lida Gear Manufacturing Co., Ltd.**

**Add:** North Lutong Road 18#, Yangshan, Huishan District, Wuxi, Jiangsu, China

**Post Code:** 214156

**Tel:** +86-510-83958957

+86-510-83957100

**Fax:** +86-510-83951235

**Email:** lida1880@hotmail.com

**Website:** <http://www.lidaslewingring.com/>